

Flush-mounting cabinets Practibox™ 6 to 36 modules



6 011 11

6 011 14

IP 40 - IK 07 with door
Class II
Allows to achieve assemblies conform to IEC 61439-3
Reversible faceplate
Box for masonry
Self extinguishing 650 °C
White RAL 9003
Supplied without terminal block

Pack	Cat.Nos	Terminal shield boxes
1	6 011 10	1 row of 6 modules
1	6 011 11	1 row of 8 modules
1	6 011 12	1 row of 12 modules
1	6 011 13	2 rows of 12 modules
1	6 011 14	3 rows of 12 modules

Accessories

		Blanking plate Separable into modules or 1/2 modules 5 modules - white
20	0 016 60	
		Terminal blocks Neutral and earth - 2 x 8 holes
10	6 012 90	
		Key lock Only for 2 and 3 rows distribution cabinets N° 850
1	0 019 66	

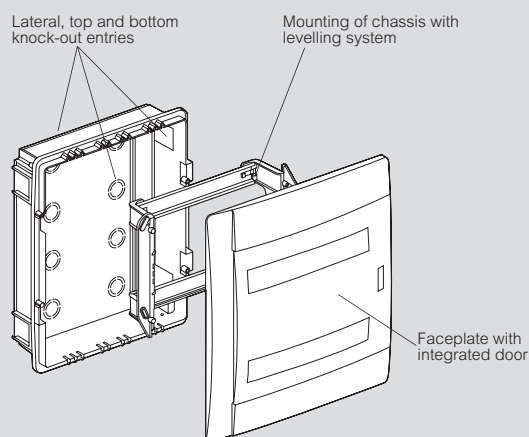
British standard consumer units
p. 205



Flush-mounting cabinets Practibox³,
p. 208

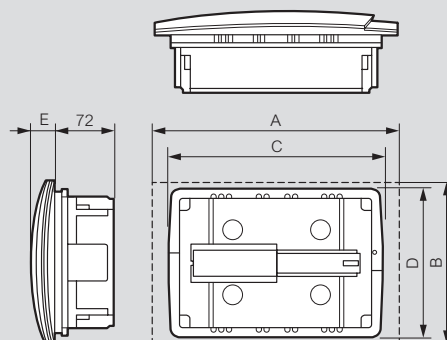


Flush-mounting cabinets Practibox™ 6 to 36 modules



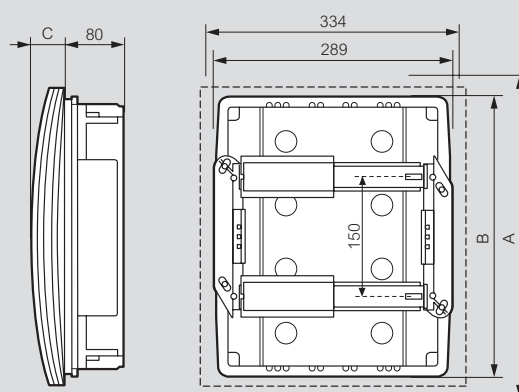
Dimensions

Cabinets 6, 8 and 12 modules



	Number of modules		
	6 mod.	8 mod.	12 mod.
A	230	266	334
B	186	188	225
C	208	244	287
D	180	180	208
E	27	27	31

Cabinets 24 and 36 modules



	Number of modules	
	24 mod.	36 mod.
A	376	526
B	358	508
C	40	42